

# MULTI HIP / GLUTE

SKU: CT-MHPS

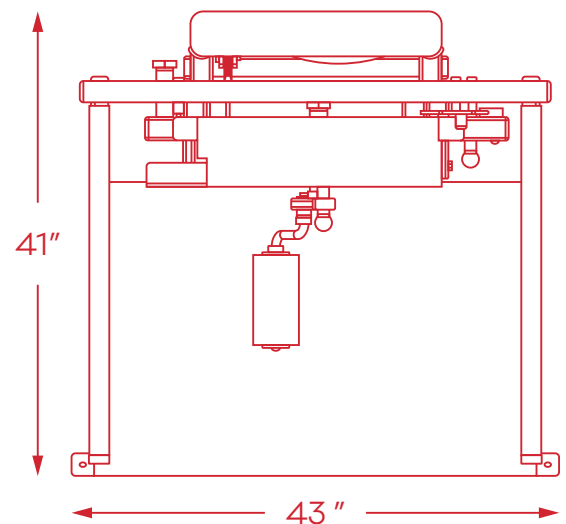


## STANDARD FEATURES

- Pad adjusts to seven different settings for hip extension and flexion movements.
- Easily adjustable thigh pad accommodates a variety of height differences.
- Dual rubber grip handles for stability and proper positioning.
- Non-skid platform.
- Steel shrouds powder coated for a mar resistant lustrous finish.

## OPTIONAL FEATURES

- Standard 150lb. weight stack is upgradeable to 225lbs.



Lifetime limited warranty on frame, welds, and weights, 3 years on bearings, guide rods, cams, and pulleys, 1 year on cables. See warranty for details.