



# M6 TREADMILL

**SKU: CT-M6 (DC)**

**SKU: CT-M6 (AC)**



Intuitive, easy-to-use console w/reading rack/tablet holder & raised shifters for speed & elevation



25,000 mile maintenance-free running belt

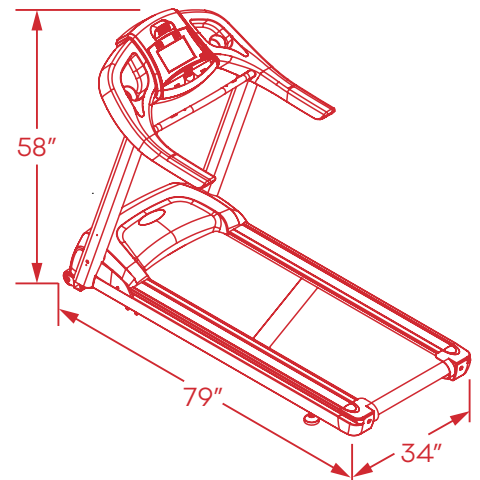


4.25 HP DC or 3.5 HP AC maintenance-free drive system



## STANDARD FEATURES

- Powerful high-efficiency 4.25 HP DC motor **OR** 3.5 HP AC motor.
- 60"L x 20"W lubricant infused, Thermoplastic Polyurethane (TPU) running belt.
- Shock-absorbing, reversible deck.
- Contact and telemetric heart-rate sensors.
- Cooling fan, speakers and USB charging port.
- Space saver - small footprint.
- Zinc-dipped anti-corrosion coating for superior rust protection.
- Full commercial components on a durable light commercial frame.
- Easy-to-move front-mounted dual wheels.





<b>TECHNICAL SPECIFICATIONS</b>	DECK	Chenxun™ Reversible Deck
	BELT	DC: Newworld™ Commercial Grade AC: Habasit™ Commercial Grade
	RUNNING AREA	60 X 20 in (1520 X 500 mm)
	SPEED RANGE	0.5 ~ 12.5 mph (0.8 ~ 20 km)
	INCLINE RANGE	0-15% (15 levels)
	STEP-UP HEIGHT	6.7 in (170mm)
	ROLLERS	2.7 in (70mm)
	MAXIMUM USER WEIGHT	450 lbs (204 kgs)
<b>ELECTRICAL SPECIFICATIONS</b>	POWER REQUIREMENT	110Vac ~ 220Vac ± 20%, 20A, 50/60Hz
	DRIVE SYSTEM	4.25 HP DC or 3.5 HP AC Motor (Treadmill Duty)
<b>FRAME</b>	FRAME MATERIAL	Zinc-dipped, powder-coated steel frame
	COLOR OPTIONS	Jet Black
	NET WEIGHT OF FRAME & CONSOLE	DC: 288.2 lbs (131 kgs) AC: 301.4 lbs (137 kgs)
	PACKAGED WEIGHT	DC: 316.8 lbs (144 kgs) AC: 330 lbs (150 kgs)
<b>DIMENSIONS</b>	EQUIPMENT DIMENSIONS	79 (L) X 34 (W) X 58 (H) in / 1990 (L) X 860 (W) X 1400(H) mm
	PACKAGING DIMENSIONS	83 (L) X 35 (W) X 16 (H) in / 2100 (L) X 880 (W) X 400 (H) mm

## CONSOLE SPECIFICATIONS

<b>DISPLAY</b>	SCREEN	8x16 Dot-Matrix w/ Message Window + HR Status Bar
	LANGUAGE OPTIONS	English
	PRE-PROGRAMMABLE WORK OUTS	Yes, 9
	QUICK START OPTIONS	N/A
<b>CONNECTIVITY</b>	USB	Standard
	LAN	No
	CSAFE COMPLIANT	Optional
	BLUETOOTH	No
	HEART RATE (HR) DETECTION	Hand Pulse (5kHz Wireless)
<b>FEATURES</b>	FAN	Yes
	READING RACK	Yes
	TARGET HEART RATE ZONE	Yes
	BOTTLE HOLDER STORAGE	Yes