

Balance Assessment &  
Rehabilitation  
**korebalance® 7.0**





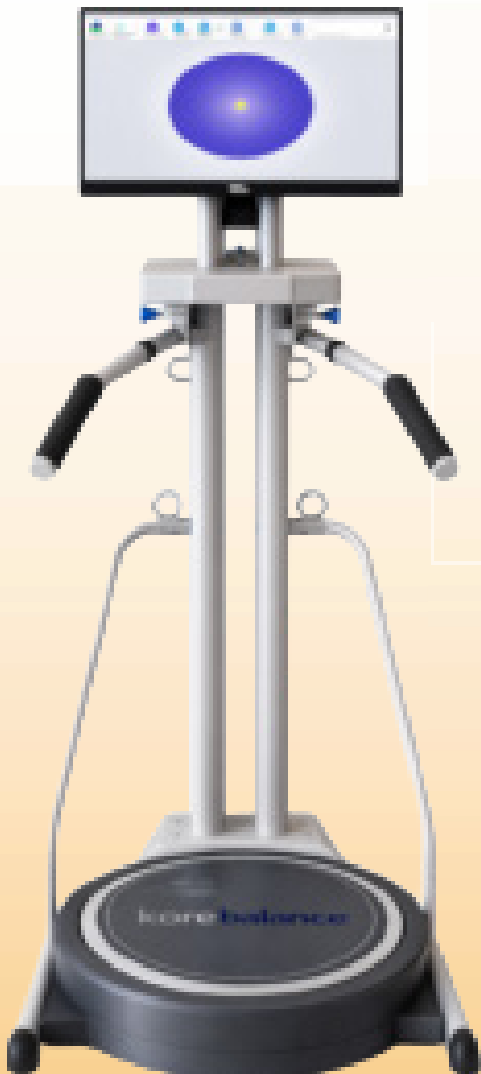


# Table of Contents

Korebalance® Premiere and Korebalance Standard® - Overview and Features.....	1-8
Korebalance® Premiere and Korebalance® Standard - Computer Specs.....	9
Korebalance® Premiere and Korebalance® Standard - Specs.....	10
KoreSway Mobile - Specs.....	11
Korebalance Active - Specs.....	12
Korebalance Trainer.....	13
KoreCognitive SaaS.....	14
Korebalance® Youth .....	15

**korebalance®  
premiere**  
&  
**korebalance®  
standard**

The Korebalance® Premiere and Korebalance® Standard are designed for use by medical centers and clinics, medical and PT offices, assisted living facilities, recreation centers, health and fitness clubs, universities and professional sport teams. The Korebalance® System uses the latest in virtual and interactive technology, offering innovative high-tech balance assessment and training. Backed by over two decades of medical experience, Korebalance® will provide you and your patients with the best possible documented neurosensory assessment and training.

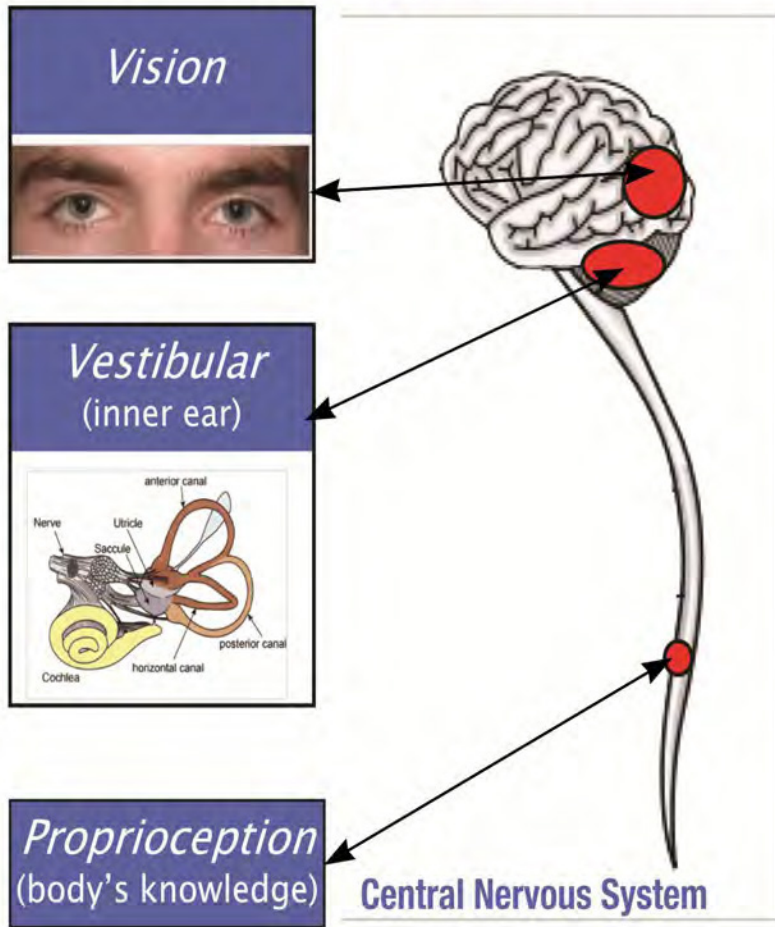


**korebalance®  
premiere**



**korebalance®  
standard**

# What controls your balance?



## How It Works:

These three systems (vision, vestibular, proprioception) are required to ensure proper balance. Each sends a signal through the central nervous system, which the brain interprets. The brain must then send the proper signal to the muscles causing contraction; Korebalance® is the world's first balance training system incorporating VSR training together with cognitive interaction. Korebalance® exercises visual, vestibular (inner ear) and proprioception (knowing where the body is in space) to find or create new pathways in the brain, improving balance. Korebalance® is an essential component of any rehabilitation program. It delivers a higher quality of therapy by allowing healthcare professionals to customize programming and gradually adjust difficulty levels and tasks over time.

Korebalance® Premiere and Korebalance® Standard will assist you in achieving the following benefits:

- Using the body's balance mechanism to send stimuli through the central nervous system (CNS) to the skeletal muscles
- Re-mapping and retraining neuropathways
- Return of vestibular functionality for mild traumatic brain injuries (mTBI)
- Improving the body's ability to respond to an unstable environment
- Increasing confidence for seniors to react and recover from impending falls
- Improving agility, reaction time & motor control

Korebalance® Products are designed to aid in the following balance disorders:

- Post Orthopedic Surgery
- Post Acoustic Neuroma Resection
- Meniere's disease
- Vertiginous Migraines
- Vestibular Neuronitis
- Presbystasis
- Closed Head Injuries
- Multiple Sclerosis
- Ataxia
- Parkinson's Disease
- Neuronitis
- Stroke
- Peripheral Neuropathy



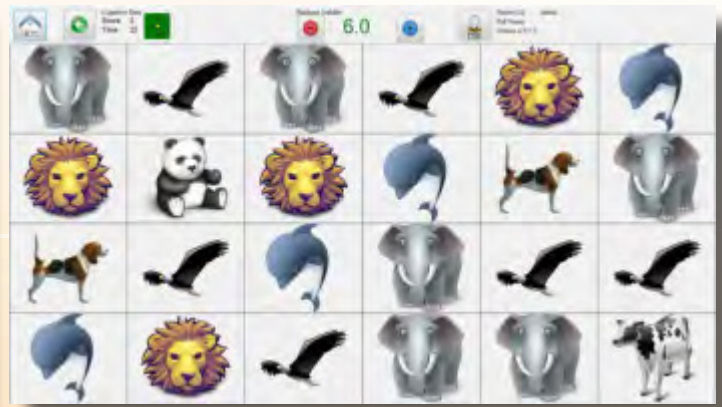
The Korebalance® software allows practitioners to objectively assess balance. Our products feature patented variable stability technology. Training programs stimulate the brain and nervous system to improve balance, stability, coordination and posture. Interactive 3D games make training programs fun and captivating, increasing positive feedback and compliance.

Korebalance® provides an efficacious high tech solution for a variety of medical challenges. This modality captures and retrains balance performance with reproducible settings and engaging software.

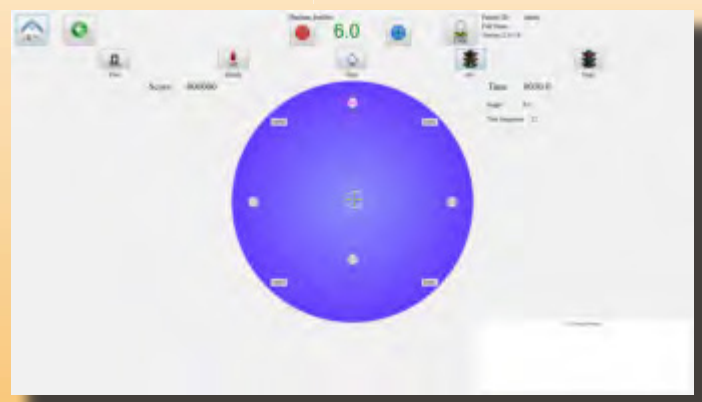
Applications include fall reduction screening and rehabilitation, orthopedic rehabilitation, treatment of peripheral neuropathies, treatment and assessment of mTBI and cognition, and identification of symptom magnification.

These applications span physical and occupational therapy, long term care and skilled nursing, athletic training, audiology, industrial medicine and neurology.

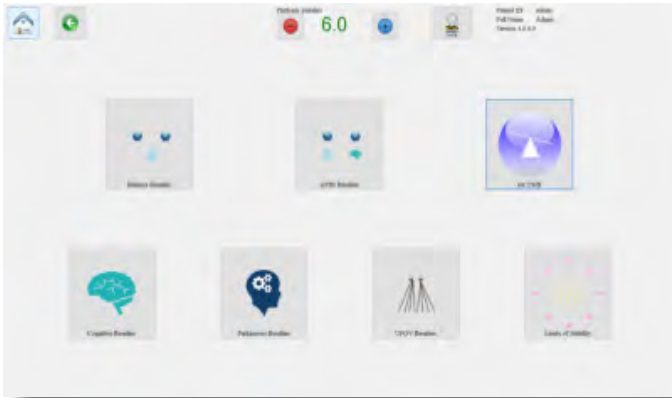
The Korebalance® Premiere, Standard, Youth, and Mobile feature optional cognition baseline and training module. The testing and training session can include both balance and cognition, cognition only, or balance only. Test results can be stored and compared to assess mental decline and mTBI improvement or regression.



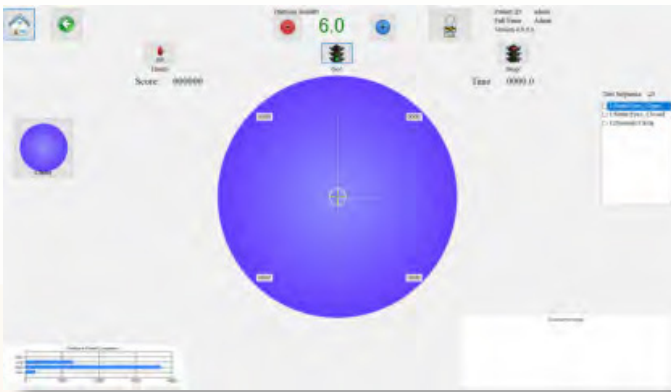
mCTSIB and LOS tests with standardized variable control. (Available as an option on all computerized Korebalance® products).



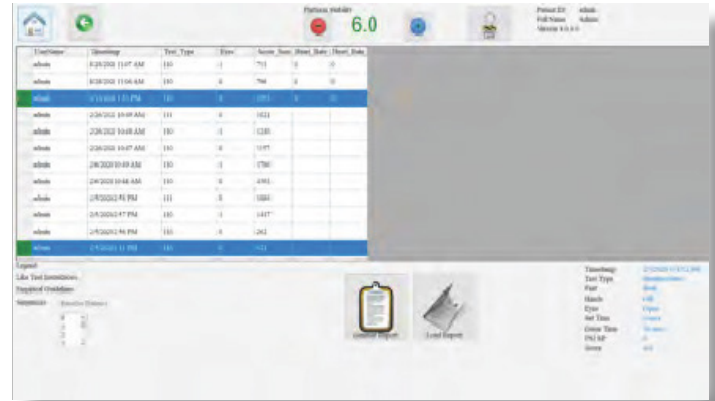
Simplified standardized test format



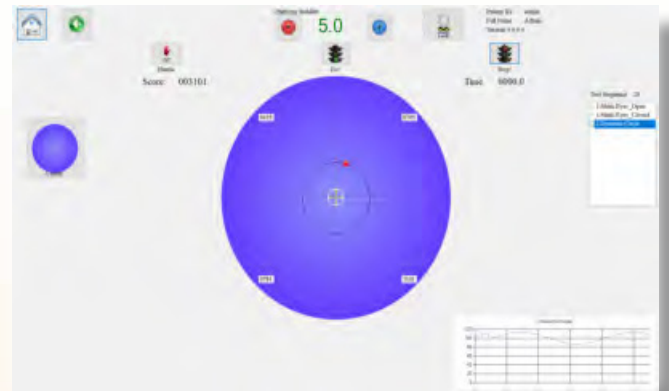
Static Test requires the patient to stand steady & balance on the platform, keeping the crosshairs of the cursor in the center of the test pattern. The Score indicates the deviation of user's center of gravity from the center of the pattern.



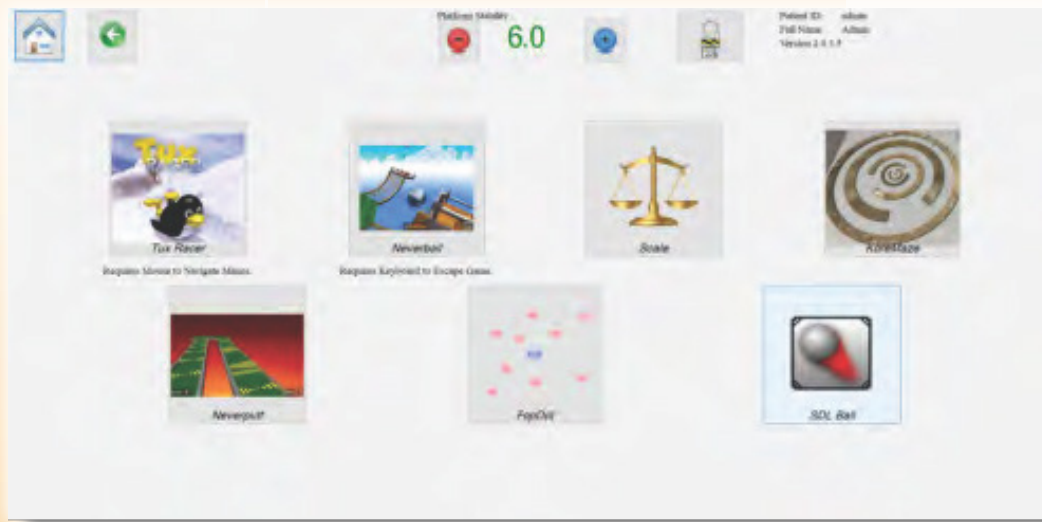
Detailed Results Screen: Touch the result that the user would like- see the detailed information and graphic display. It can be easily navigated and printed out in color.



Dynamic Test offers a moving cursor that the user "follows" utilizing hip and ankle strategies.



Optional Interactive Games: Increase user interaction and compliance; make training process fun and captivating. Numerous game variations.



- FUN, INTERACTIVE 3-D TRAINING PROGRAMS AND GAMES
- UNLIMITED DATA STORAGE AND REPORTS
- LEADING EDGE TOUCHSCREEN INTERFACE WITH A CHOICE OF SIZES
- COORDINATED FUNCTIONAL USE OF ALL THREE PERIPHERAL SYSTEMS (Vestibular, Vision and Proprioception)
- VARIABLE STABILITY SETTINGS The pneumatic pressure system has 16 stability settings. Settings can be adjusted from very stable for the senior population to extremely challenging for professional athletes, and everyone in between.

## Korebalance® UFOV assessment and training module

The Korebalance Useful Field of View suite adds additional versatility and assessment capabilities to the balance and cognitive platform. Although originally designed as a test to determine driving proficiency and risks, the interactive progressive visual and cognitive acuity testing and training sessions have shown additional benefits as well.



1. Processing Speed The Korebalance® UFOV assessment is a computer-based visual test containing three subtests. 1.Processing Speed: Determines a person's threshold for discriminating stimuli presented in central vision.
- 2.Divided Attention: Same as Subtest 1 but with the addition of a concurrent peripheral target location task.
- 3.Selective Attention: Same as Subtest 2 but with the addition of distracters.

The threshold scores are combined to produce an overall performance score. Performance on the UFOV assessment is correlated with a number of real-world functions including driving and walking.



Here are some examples:

- Several studies have shown that a reduction in UFOV (Useful field of view) is correlated with an increased risk of an automobile accident with poor performers being about twice as likely to have an automobile crash than good performers.
- Drivers with poor UFOV performance take longer to cross intersections and initiate crossing later.
- The UFOV assessment is one of the best visual or cognitive predictors of crash rates surpassing the visual acuity tests (used at most Department of Motor Vehicle test sites).
- Poor UFOV performers have more collisions during obstacle navigation while walking.
- People with poor UFOV performance have higher rates of injurious falls.

### 2. Divided Attention



### 3. Selective Attention

## Korebalance antimicrobial treatment

All Korebalance medical device frames and touch points are treated with Koreclean EPA recognized covalently bonded antimicrobial prior to leaving our factory in Independence, Virginia. This treatment is non leaching and provides a long lasting invisible barrier to a myriad of bacteria and viruses. In addition, the Korebalance Premiere features medical grade, two year warranted antimicrobial displays.



## Korebalance forearm heart rate monitoring

The optional forearm sensor heart rate monitor is much more accurate than touch sensors and provides real time heart rate display and max heart rate reporting in the patient file. Especially useful to determine metabolic demand of the various tests and gauge improvement or regression of cardiovascular health. The forearm attachment is better tolerated by patients, is easier to keep clean, and doesn't require the partial disrobing associated with chest sensors.



## Korebalance adjustable display mount

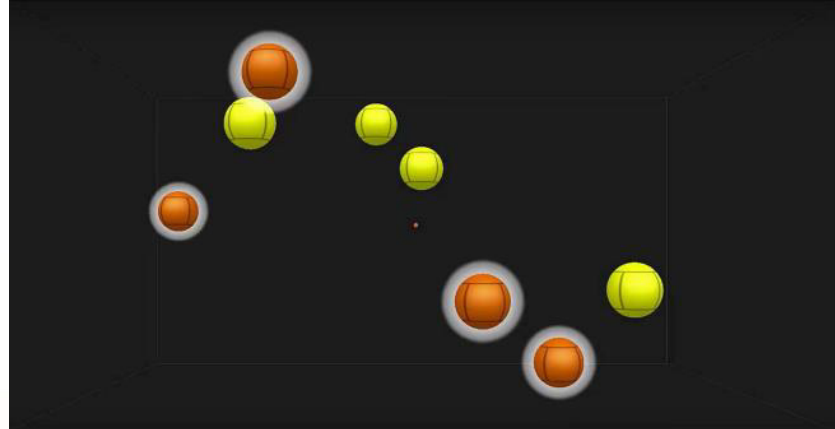
All clinical large frame Korebalance devices now feature a multi positional horizontal and vertical adjustable computer mount, accommodating a wide variety of patient statures, including pediatric. This new design facilitates the numerous cognitive touch screen applications now included in the Kore-balance software suite



## Korebalance integrated surge protection

The Korebalance Premiere modality now includes as standard an integrated surge protector, eliminates the need for external protectors and ensuring a smooth electric feed and protection of sensitive componentry.

- 1) Now with 20 levels of stability, up from 15, including level 20, the “stable” setting for mount and dismount and MCTSIB protocols making testing and training easier and catering to individual’s abilities.
- 2) More powerful inflation motor provides quiet, faster inflation and deflation- saving clinician’s time.
- 3) NEW for 2022 is the addition of an optional Neurotracker® software suite!



The ideal multi-tasking small footprint modality.

When used consistently for just 6-minutes a session NeuroTrackerX heightens human performance, increases mental awareness and resilience in the face of adversity. The program hones in on the brains' core functions and trains them much like any other muscle in your body.

**Executive Function** - Focuses in on your functionality in organizing, planning, and prioritizing.

**Peripheral Vision** - Sense motion by being able to see objects at wide angles without turning your head.

**Visual Info, Processing -**

Process and analyze accurately what is being seen and storing it in visual memory for later use.

**Working Memory -**

Improve performance on reasoning tasks and reading comprehension, as well as functioning through the day.

The Korebalance with Neurotracker can be used in concert or independently, depending on abilities of the client and outcomes desired by the clinician.

Combining the Korebalance progressive core stabilization and balance challenges with the Neurotracker software program provides a safe, state of the art, proven small footprint multi-tasking modality.

# Korebalance® = Exceptional Hardware

Windows operating system for increased reliability and user-friendly interface

USB ports for installing software upgrades

Powerful computer/touchscreen combination with capacity to securely store patient files.

Mount/dismount feature provides a stable ingress and egress surface

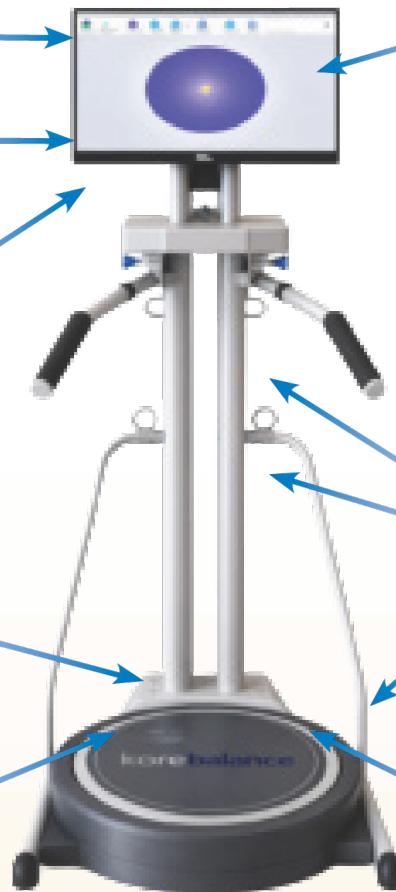
Platform with 360° horizontal and 20° vertical movement tracking.

Choice of large surface acoustic wave digital flat panel LCD touchscreens with integrated quality stereo speakers. Medical grade touchscreen/computer available with Korebalance® Premiere

2" Hardened steel safety hand rails (fully adjustable on the Korebalance Premier)

6 Exercise band attachment points to enhance training

Large dynamic platform with padded neoprene cushion for comfort and safety.



Patient safety support belt, enabling practitioners to safely test and train patients.

“For many years, I have used Korebalance® machines in my offices for successful treatment of my patients. I have found it particularly helpful to incorporate these proprioceptive training protocols in treating patients with various balance anomalies. This has improved patients’ static and dynamic balance. This training utilizes and improves both ankle and hip strategies effectively. By using guidelines of adjustable pressure under the unstable platform in relation to the patient’s height, we have found an improvement in balance with pre vs. post rehabilitation tests for patients with both peripheral and central vestibular deficits, originating from various medical diagnoses. The machines have become an integral part of the balance treatment protocols we’ve instituted for our patients, and our outcomes certainly are improved by their use. I believe the machines are successful in diminishing fall risk in my patients.”

Jim Buskirk PT, SCS  
President/Owner  
Balance Centers of America / Peak Therapeutics

Computer Specifications

**Model#: Korebalance Premiere, Standard, and Youth**

- 24" Medical Grade, 16:9 wide screen
- Windows 11 OS
- Projected Capacitive Touchscreen LED
- Resolution: 1920x1080
- Processor: Intel Core i5 14500T, 4.8GHz
- Memory: 8GB DDR5 SO-DIMM
- WiFi enabled
- 256 GB M.2 NVMe PCIe Solid State Drive - Improved load times and durability
- Video: Intel® UHD Graphics 770
- Audio: Realtek High Definition Audio. Two built-in 2.0 watt stereo speakers.
- I/O : 1 x RJ45, 2 x USB 2.0 Ports, 2 x USB 3.2 ports Type-C, 2 x USB 3.2 ports, 1 x DisplayPort - In, 1 x Global Headset Jack. 2 Internal 2W Speakers.
- Safety & Certifications: FCC Class B, UL/cUL, CE, ENERGY STAR, EPEAT, RoHS, WEEE. REACH
- Screen Antimicrobially Treated



Machine Specs for Model#'s: Premiere and Standard

- Footprint: 44" x 58" (112 cm x 148 cm)
- Height: 80" (203 cm) - fully extended
- Platform has 360° horizontal and 20° vertical range of movement
- Individually adjustable safety rails, catering to user's physical ability and height (available on KB Premiere).
- Fixed safety rails on model KB Standard
- 6 Exercise band attachment points
- Large, stable stepping platform with low step-up height for ease of access and safe mount and dismount.
- Power: 100-240 VAC; 50/60 Hz; 500 Watt - includes surge protector in frame
- Machine weight: 315 lbs. (143 kg)
- Patient weight capacity: 500 lbs. (227 kg)
- Available in white frame
- Warranty: frame/15 years wear items/1 year electronics/1 year 24" medical grade computer
- Made in the USA



Fixed safety rails on model KB Standard



Adjustable safety rails only on model KB Premiere

“Pushing forward the idea of rehabilitation and fall prevention, if you have an awareness of your balance (or proprioception) and you train to keep it at its highest peak, like we do with flexibility, strength and endurance, we’re going to see a reduction in injuries. I think the Korebalance® is a wonderful product. Balance equipment utilizing the unstable platform, such as the Korebalance® machine, really is one of the greatest inventions of the 21st century... We found that by using the unstable platform, we are able to diagnose where [people] are weak and retrain those fibers, and to re-teach the body reflexes necessary for proper balance. The equipment is an invaluable tool for aiding proprioception - the body's ability to know where our extremities are and to keep us balanced. And it allows us to effectively get a person back up to speed faster, ready to go back to full duty.”

Captain Joseph Moore, US Navy, M.D., Medical Director, Miramar Sports Medicine And Reconditioning Team (SMART) Center, Former Commanding Officer of the Medical Treatment Facility aboard the Military Sealift Command (MSC) hospital ship USNS Mercy (T-AH 19).





# koreSway™ mobile

The KoreSway™ Mobile is designed for use by medical centers and clinics, medical and PT offices, assisted living facilities, recreation centers, health and fitness clubs, universities and professional sport teams.

## Features

- KoreSway™ Mobile includes: Force plate platform and laptop computer, and one perturbed surface foam mat.
- Optional computer stand and carrying bag
- 2.75" Platform Step Up Height
- Proprietary balance software provides balance and vestibular assessment and training programs for improving balance, stability, coordination and posture.
- Includes Static and dynamic balance assessment, mCTSIB and Limits of Stability Testing, along with two games Neverputt (golf) and Neverball game (3D)
- Optional Cognition and Parkinson's Suite, Useful Field of View Suite, and Multiple Game Package
- Objective documentation - printable color reports to track progress and document outcomes
- Patient data storage - store over one million reports



The KoreSway™ Mobile is shown here with optional laptop stand and carrying bag

### Mobile Specs

- Platform footprint: 23" diameter (58 cm)
- Platform weight: 31 lbs (14 kg)
- Patient weight capacity: 330 lbs (150kg) • Laptop computer included
- Warranty: 1 year
- Made in the USA
- FDA REG# 3001541016

# korebalance™ Active

## Features

- **Korebalance™ Active includes: Variable Stability platform, touch screen laptop computer, and one perturbed surface foam mat**
- **Platform has 360° horizontal and 20° vertical range of movement**
- **Optional adjustable laptop stand and carrying case**
- **2.75" Platform Step Up Height**
- **Proprietary balance software provides balance and vestibular assessment and training programs for improving balance, stability, coordination and posture.**
- **Includes Static and dynamic balance assessment, mCTSIB and Limits of Stability Testing, along with two games Neverputt (golf) and Neverball game (3D)**
- **Optional Cognition and Parkinson's Suite, Useful Field of View Suite, and Multiple Game Package**
- **Objective documentation - printable color reports to track progress and document outcomes**
- **Patient data storage - store over one million reports**



The Korebalance™ Active is designed for use by medical centers and clinics, medical and PT offices, assisted living facilities, recreation centers, health and fitness clubs, universities and professional sport teams.



The Korebalance Active is shown here with optional laptop stand and carrying bag

## Korebalance Active Specs

- FDA REG# 3001541016
- Platform footprint: 23" diameter (58 cm)
- Platform weight: 23 lbs (10.5 kg)
- Patient weight capacity: 500 lbs (227kg)
- Laptop computer included
- Warranty: 1 year
- Made in the USA

# korebalance™ Trainer

## Features

- **Korebalance™ Trainer includes: Variable Stability platform**
- **Platform has 360° horizontal and 20° vertical range of movement**
- **2.75" Platform Step Up Height**
- **15 Levels of Stability**
- **Increase Metabolism - Up to a 15% increase in caloric expenditure vs. stationary posture**
- **Improved Circulation**
- **Improved Balance**
- **Improved Cognitive Function**



## Korebalance Trainer Specs

- Platform weight: 22 lbs (10 kg)
- Patient weight capacity: 500 lbs (227kg)
- Warranty: 1 year
- Made in the USA
- FDA REG# 3001541016
- Platform footprint: 23" diameter (58 cm)



## Features

- **Useful Field of View Testing and Training Includes three sub-tests, and a training suite**
- **Cognitive Baseline Testing and Training: Target Tap, Arithmetic, Alphabet Target Sequencing, Memory Card Concentration, Image, Shape and Color Target Recognition**
- **Cognitive Training provides an adjustable target grid - between 9 to 100 targets, with 30 -300 second time options**
- **Parkinson's Disease Questionnaire-8 for convenient use in clinical settings**
- **Downloadable to any Windows 10 or 11 Operating System.**
- **Pay per License Use or a one time use fee**
- **Functions with a touch screen or mouse!**

Target Tap - select as many targets as possible within the pre-selected time frame

The KoreCognitive Software as a Service provides the Korebalance® cognitive testing and training suite for clinicians and their patients.

- Useful Field of View
- Cognitive Baseline
- Parkinson's Disease Questionnaire 8
- 3 Cognitive Games

## UFOV: Split Vision Sub Test - Identify Targets



## PDQ-8 Answer Review

	Never	Occasionally	Sometimes	Often	Always (I Cannot Tell)
1. Had difficulty getting around in public?	<input type="radio"/>	<input type="radio"/>	<input type="radio"/>	<input checked="" type="radio"/>	<input type="radio"/>
2. Had difficulty dressing yourself?	<input type="radio"/>	<input type="radio"/>	<input checked="" type="radio"/>	<input type="radio"/>	<input type="radio"/>
3. Felt Depressed?	<input type="radio"/>	<input type="radio"/>	<input checked="" type="radio"/>	<input type="radio"/>	<input type="radio"/>
4. Had problems with your close personal relationships?	<input type="radio"/>	<input type="radio"/>	<input checked="" type="radio"/>	<input type="radio"/>	<input type="radio"/>
5. Had problems with your concentration, e.g. when reading or watching TV?	<input type="radio"/>	<input type="radio"/>	<input type="radio"/>	<input type="radio"/>	<input checked="" type="radio"/>
6. Felt unable to communicate with people properly?	<input type="radio"/>	<input type="radio"/>	<input type="radio"/>	<input checked="" type="radio"/>	<input type="radio"/>
7. Had painful muscle cramps or spasms?	<input type="radio"/>	<input type="radio"/>	<input type="radio"/>	<input checked="" type="radio"/>	<input type="radio"/>
8. Felt embarrassed in public due to having Parkinson's disease?	<input type="radio"/>	<input checked="" type="radio"/>	<input type="radio"/>	<input type="radio"/>	<input type="radio"/>

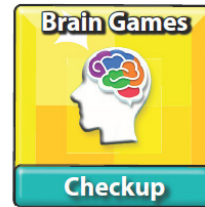
## Memory Card Concentration - Match Images



# korebalance™ Youth

## A New Standard in Youth Balance and Cognitive Development

The Korebalance™ Youth system is an advanced assessment and training solution designed to improve balance, coordination, reaction time, and cognitive processing in children and adolescents. Developed from decades of neurological and rehabilitation research, the Korebalance Youth platform helps schools, therapists, and clinicians measure and enhance performance safely and effectively.



## Balance, Focus, and Cognitive Growth

Balance exercises play a crucial role in managing ADHD symptoms in children. These activities help improve focus, coordination, and overall body awareness—skills essential for learning and development. Incorporating balance training into a child’s daily routine can enhance concentration, self-regulation, and confidence.

Children with ADHD often struggle with physical coordination and benefit from targeted exercises that challenge the brain to maintain stability. This engagement strengthens neural connections and supports improved cognitive function. When balance and cognitive training are combined, children develop greater control over movement, attention, and behavior.

To maximize these benefits, Korebalance Youth integrates both physical and cognitive challenges into one interactive system—providing a comprehensive approach to growth, learning, and rehabilitation.



### Korebalance Youth Specs

- 24" touch display
- Platform footprint: 23" diameter (58 cm)
- Weight: 112 lbs (51 kg)
- Patient weight capacity: 330 lbs (150kg)
- Warranty: 5 year frame, 1 year components & electronics
- Made in the USA

# korebalance™

## Mini

Utilizing proprietary Korebalance software, clinicians can perform baseline testing, rehabilitation, and comparative session analysis on an easy-to-clean platform.

When not in use, the stand, laptop, and platform can be quickly stored or transported, making the system ideal for small clinics, athletic training programs, and home health.



### Korebalance Mini Specs

- 14" Laptop Computer
- Portable frame with arm rails
- Mini Force Plate Platform
- Includes Korebalance® testing/training software suite & games
- Patient Weight Capacity: 330 LBS. (150 KG)
- Dimensions: 23" W x 50" L x 65" H
- Weight: Product: 15 LBS. (7 KG), Platform 9 LBS. (4 KG)

- Warranty: 1 year

NOTES:



For more information about *Medical Fitness Solutions* and *Korebalance®* Balance Assessment products, please visit:

[w]: [www.medicalfitsolutions.com](http://www.medicalfitsolutions.com)

[e]: [info@medicalfitsolutions.com](mailto:info@medicalfitsolutions.com)

(USA): **1.800.831.7665**

(International): **+1.760.451.3445**

**Medical Fitness Solutions, LLC 543 East  
Alvarado St, Fallbrook CA 92028**

Please contact us if you would like to book an interactive webinar that brings our showroom to you.

*Medical Fitness Solutions is a minority woman owned small business.*



All Korebalance frames are treated with a bonded, antimicrobial barrier.

In the interest of product development and improvement, specifications subject to change without notice.